

LAJ-10Q(LFZJ-10Q) 型电流互感器

LAJ-10Q(LFZJ-10Q) Current transformer type

概述 Description

LAJ-10Q型电流互感器适用于额定频率为50Hz或60Hz，额定电压等级为10kV及以下户内装置的电力系统中作电流、电能测量和继电保护用。

Current transformer type LAJ-10Q is applicable to the current and power measurement and relaying protection of indoor power system of rated voltage 10kV and below at a frequency of 50Hz or 60Hz.

型号含义 Type designation



结构简介 Construction

互感器为环氧树脂浇注。300A及以下为半封闭式结构，400~800A为单匝式全封闭浇注结构，产品加强外绝缘强度，属工况型产品。

The current transformer is of resin casting type. 300A and below is semi-closed structure, 400-800 A single lvr type is of hermetically sealed structure, the product is stiffened for its external insulation.

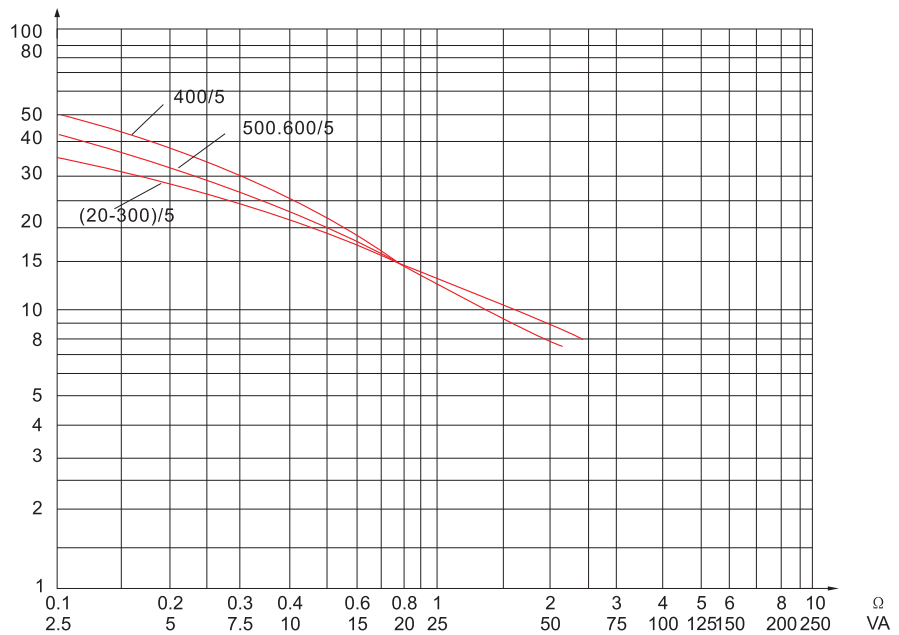
技术参数 Technical data

- 1.额定绝缘水平11.5/42/75kV(表面凝露及人工Ⅱ级污秽条件下);
- 2.额定一次电流，准确级及相应的额定输出，额定短时热电流见表1;
- 3.负荷的功率因数为0.8(滞后);
- 4.额定二次电流，5A(也可做1A);
- 5.局部放电水平符合GB5583-85及IEC44-4《互感器局部放电测量》，其视在放电量不大于50PC;
- 6.10P级准确限值系数与二次负荷关系曲线见附图。
1. Rated insulation level 11.5/42/75kV (surface dew point and class 2 artificial pollution);
2. Rated primary current, accuracy classes, rated output and rated short-time thermal current see table 1;
3. Power factor: 0.8 (hysteresis);
4. Rated secondary current: 5A (or 1A);
5. The measurement of partial discharge level is in accordance with GB5583-85 and IEC44-4. Apparent partial discharge level not more than 50PC.
6. Relative curve between accuracy limit factor 10P and secondary output see the attached diagram.

表(Table)1

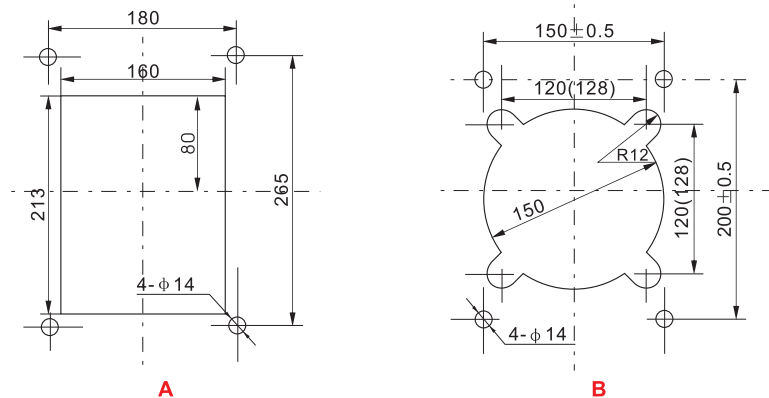
额定一次电流(A) Rated primary Current(A)	准确级及相应的额定输出(VA) Accuracy class and output(VA)				1秒热电流(kV) (有效值) 1 th /Is (kV)(r.m.s) /IS	动稳定电流 (kV)(峰值) Idyn (kV) (peak)
	0.2级 Class 0.2	0.5级 Class 0.5	1级 Class 1	10P15级 Class 10P15		
20~200	10	25	25	15	120 I 1n	215 I 1n
300					100 I 1n	180 I 1n
400	15	25	25	20	75 I 1n	135 I 1n
500					60 I 1n	110 I 1n
600、800	25	25	25	20	50 I 1n	90 I 1n

➔
10P 级准确限值系数
Accuracy limit factor of class 10P



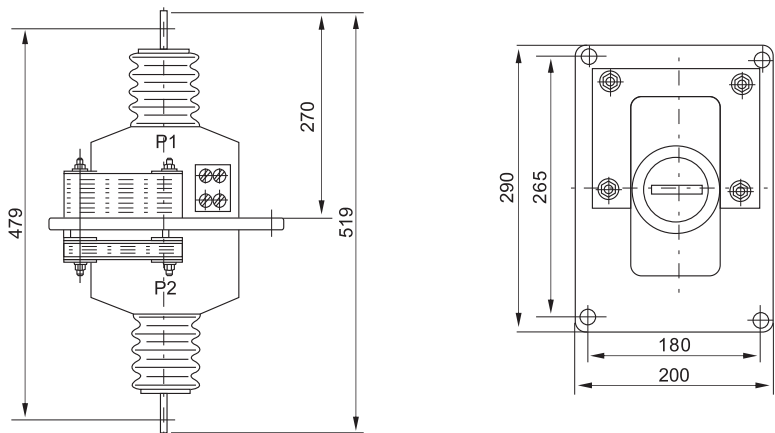
开孔尺寸 Hole dimension

➔
LAJ-10 5-300/5(A)
LAJ-10 400-800/5(B)

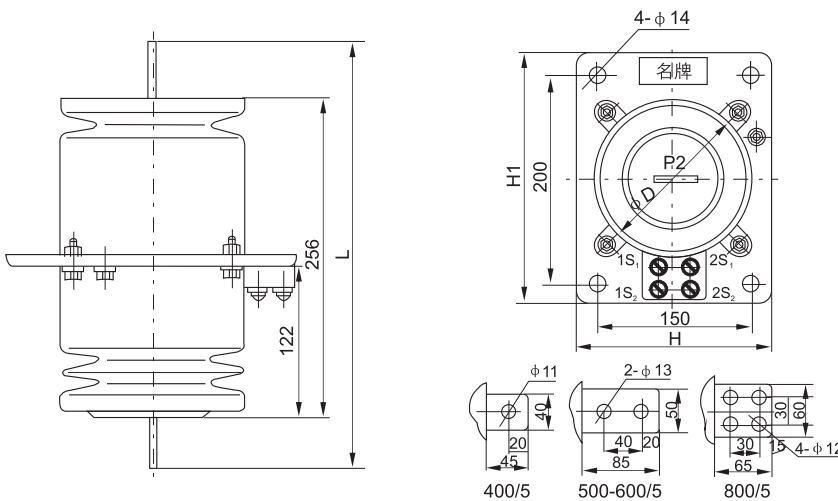


外形尺寸 Overall Dimension

LAJ-10Q (20-300/5) Overall Dimension



LAJ-10Q(400-800/5) Overall Dimension



额定一次 电流(A)	L (mm)	φ D (mm)	H (mm)	H ₁ (mm)
400	346	145	180	230
500	426	149	180	230
600	426	149	180	230
800	586	149	190	240

订货须知 When ordering, please specify the following

- 1.型号、电流比;
 - 2.准确级及相应的二次负荷;
 - 3.绝缘等级及使用环境。
- 1.Type and currenty ration;
 - 2.Accuracy class and secondary output;
 - 3.Insulation class and service conditiior.