



LA-10Q(LFZ-10Q,LFZB1-10Q)型电流互感器

LA-10Q(LFZ-10Q,LFZB1-10Q) Current transformer type

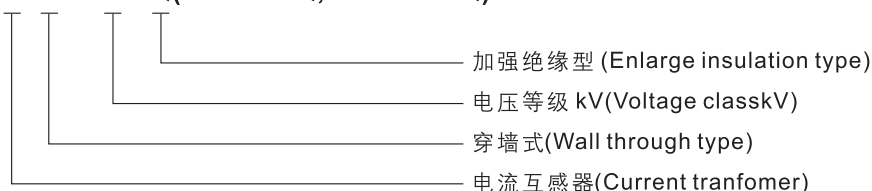
概述 Description

LA-10Q型电流互感器适用于额定频率为50Hz额定电压为10kV及以下户内装置的电力系统中作电气测量和保护用。

Type LA-10Q current transformer is used for metering and protective relaying purposes for installation in door up to 10kV RATED voltage, frequency 50Hz.

型号含义 Type designation

L A - 10 Q(LFZ1-10Q,LFZB1-10Q)



结构简介 Construction

- 1.互感器为环氧树脂浇注加强绝缘型，可用于潮湿、产品表面凝露及热带和高温地区；
- 2.200A及以下为半封闭浇注结构，300~1000A为单匝式全封闭浇注结构。
- 1.The current transformer is of resin casting and enlarge insulation type. It can withstand pollution and numidity. It is suitable for use of surface dew point of product and in the tropic region.

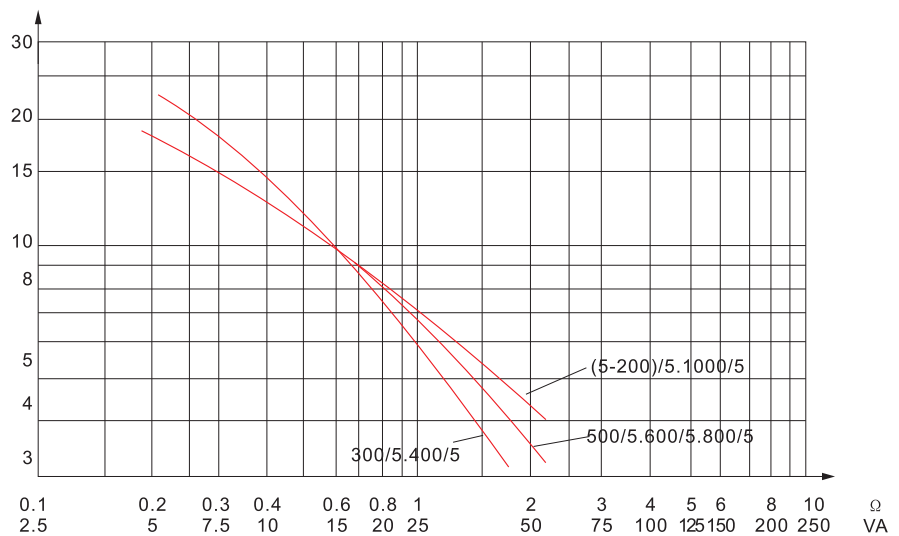
技术参数 Technical data

- 1.额定绝缘水平11.5/42/75kV(表面凝露及人工Ⅱ级污秽条件下)；
- 2.额定一次电流、准确级及相应的额定输出、额定短时热电流见表1；
- 3.负荷的功率因数为0.8(滞后)；
- 4.额定二次电流为5A；
- 5.局部放电水平符合GB5583-85及IEC44-4《互感器局部放电测量》，其视在放电量不大于50PC；
- 6.10P级准确限值系数与二次负荷关系曲线见图1。
- 1.Rated insulation level 1.5/42/75kV(Surface dew point and class 2 artificial pollution)；
- 2.Rated primary current, accuracy class class and corresponding rated output, and rated short time thermal current see table1；
- 3.Power factor, 0.8 (hystersis)；
- 4.Raed secondary current, 5A；
- 5.The measurement of partial discharge level is in accordance with GB 5583-85and IEC 44-4. Apparent partial harge level not more than 50PC；
- 6.The relation ship curve between accuracy limit factory of class 10P and secondary bureden see Figure 1.

表(Table)1

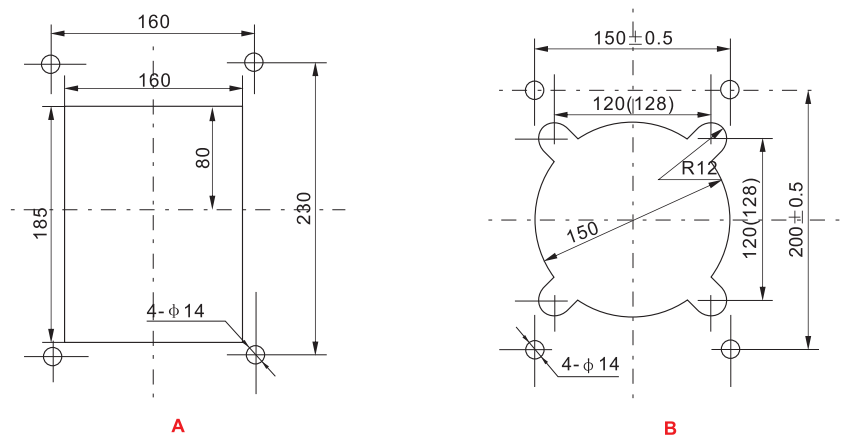
额定一次电流(A) Rated primary Current(A)	准确级及相应的额定输出(VA) Accuracy class and output(VA)				1秒热电流(kV) (有效值) 1 th /Is (kV)(r.m.s)	动稳定电流 (kV)(峰值) Idyn (kV) (peak)
	0.2	0.5	1	10P10		
5.10.15.20.30.40 50.75.100.150.200	5~10	10	10	15	90 I 1n	160 I 1n
300.400					75 I 1n	135 I 1n
500					60 I 1n	110 I 1n
600.800.1000.1500					50 I 1n	90 I 1n

➔
10P 级准确限值系数
Accuracy limit factor of class10P



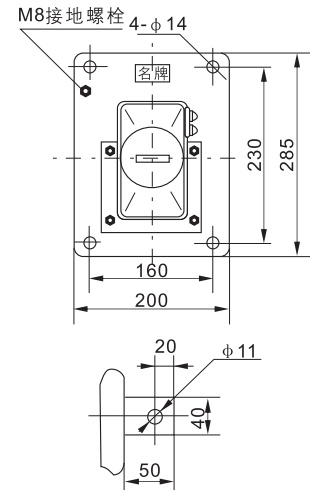
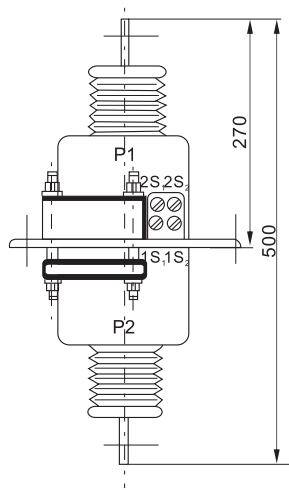
开孔尺寸 Hole dimension

➔
LA-10Q 5-200/5(A)
LA-10Q 300-1500/5(B)

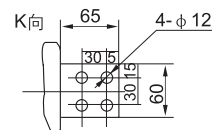
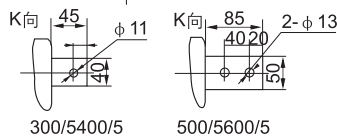
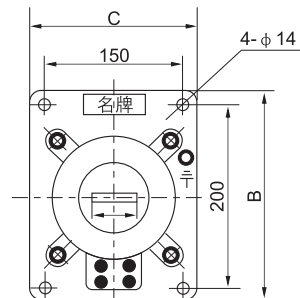
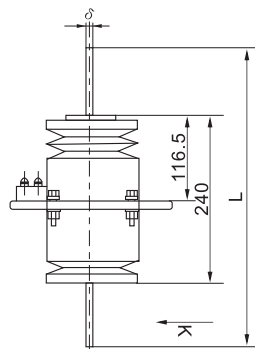


外形尺寸 Overall Dimension

LA-10Q(5-200/5)Overall Dimension



LA-10Q(300-800/5)Overall Dimension



规格 Standards	δ	A	B	C	L
300/5 400/5	5	40	230	180	330
500/5 600/5	6	50			410
800/5		60	240	190	370

LA-10Q(1000-1500/5)Overall Dimension

