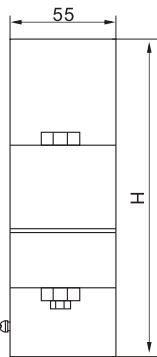
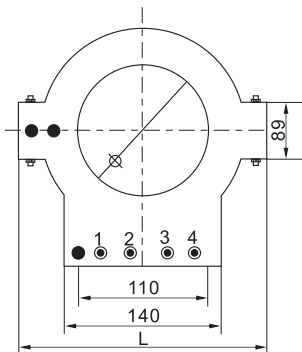


电缆式零序电流互感器

Cable type Zero sequence current transformer



LKZB-0.5 Overall Dimension

型号 type	内孔φ	宽度L	高度H	厚度	地脚尺寸(size)	
					螺栓规格	中心距离
LCT-4	120	260	230	55	M×25	110×0.5
LCT-3	100	260	230	55	M×25	110×0.5
LCT-2	80	210	200	55	M×25	110×0.5

LKZB-0.5(LBD-LCT) 型零序电流互感器

LKZB-0.5(LBD-LCT) Zero sequence current transformer

概述 Description

本型零序电流互感器为用户内装置，是专门为35kV户内电缆头出线而设计的开合式电流互感器，作为额定频率50Hz或60Hz、额定电压6~35kV的电力系统中作继电保护用。

The current transformer is equipment used indoors. It is specially designed for the cable out-line. It is used for relay protection in the electric system up to rated frequency 50Hz or 60Hz and rated voltage 6kV to 30kV.

型号含义 Type designation

L k Z B - 0.5(LBD-LCT)

L	k	Z	B	- 0.5(LBD-LCT)	电压等级, kV(voltage grade, kV)
					保护用(used for protection)
					浇注绝缘(casting resin insulated)
					开合式(open-close type)
					电流互感器(current transformer)

结构简介 Construction

本型零序电流互感器为开合式，环氧树脂浇注结构，安装时可将互感器分为两半，然后合为一体，用螺栓拧紧。互感器底部有两个安装孔。互感器内径有φ60、φ80、φ100、φ150、φ180等五种规格。

The transformer is open-close type and casting resin insulated. Being installed, at first, make the product dimidiation. Then make it coalition used bolt. There have two-fix hole on the bottom. There have five types of the transformer inside diameter, such as φ60、φ80、φ100、φ150and φ180.

技术参数 Technical data

1.本型零序电流互感器一次主绝缘由电缆保证，产品仅考核二次绕组的绝缘性能。二次绕组对地能承受3kV工频耐压。

2.额定电流比、准确级、额定输出见下表：

1. Because the cable protects the primary main insulation, so, the insulation characteristics of secondary winding are only examined. The secondary winding can be able to withstand the power frequency test voltage of 3kV to ground.

2. Rated current ratio, accuracy classes, rated output see form.

额定电流比 Rated current ratio(A)	准确级 Accuracy class	额定输出 Rated output(VA)
50/1	10P10	1
75/1		1.6
100/1		2.5
150/1		5
200/1		5
300/1		5
400/1		5
600/1		5