



LZZQB6-10 型电流互感器

LZZQB6-10 Current transformer type

概述 Description

LZZQB6-10型浇注绝缘支柱式电流互感器，供额定频率为50Hz，额定电压为10kV的电力系统中作电流，电能测量及继电保护用。

The current transformer is support is support type epoxy resin insulated designed for current power measurement and relay protection in a power system with rated frequency 50Hz rated voltage 10kV.

型号含义 Type designation

L	Z	Z	Q	B	6	-	10	
								电压等级kV (Voltage class)
								设计序号(Design code)
								保护(With protective class)
								加强额定二次负荷(Extended rated secondary burden)
								浇注绝缘(Cast-resin insulated)
								支柱式(Support type)
								电流互感器(Current transformer)

使用条件 Service condition

- 1.海拔高度不超过1000m;
- 2.周围环境温度不高于+40℃，不低于-5℃；
- 3.周围空气的相对湿度不大于85%(20℃)；
- 4.本产品已通过直接振动试验，能承受住相当于里氏九级裂度的加速度为0.4g正弦三波的耐振试验。

- 1.Altitude :Not over 1000m;
- 2.Ambient temperature: - 5℃to +40℃;
- 3.Relative humidity: less than 85%, at 20℃;
- 4.The product has passed the direct vibration test with the intensity of 0.4g three sine waves, equivalent to nine-degree earth quake on the richter scale.

结构简介 Construction

本型互感器的一次绕组、二次绕组全部包封在环氧树脂浇注体内，为全封闭式结构。底座上有四个安装孔和接地螺栓及名牌。

The current transformer is totally enclosed its core. Primary winding and secondary winding and secondary windings are cast with epoxy resin the base is fitted with rating plate. Earthing bolt and 4 mounting holes. There is a protective cover for the secondary terminals.

技术参数 Technical data

1.产品性能符合IEC标准和GB1208-87《电流互感器》。

2.额定绝缘水平:

工频耐受电压: 42kV

雷电冲击耐受电压: 全波75kV;

3.10P级准确限值系数与二次负荷关系曲线如下:

1.Performance conforms with IEC standard and GB1208-87 Current Transformer;

2.Rated insulation level withstand voltage:

power frequency volte 42kV

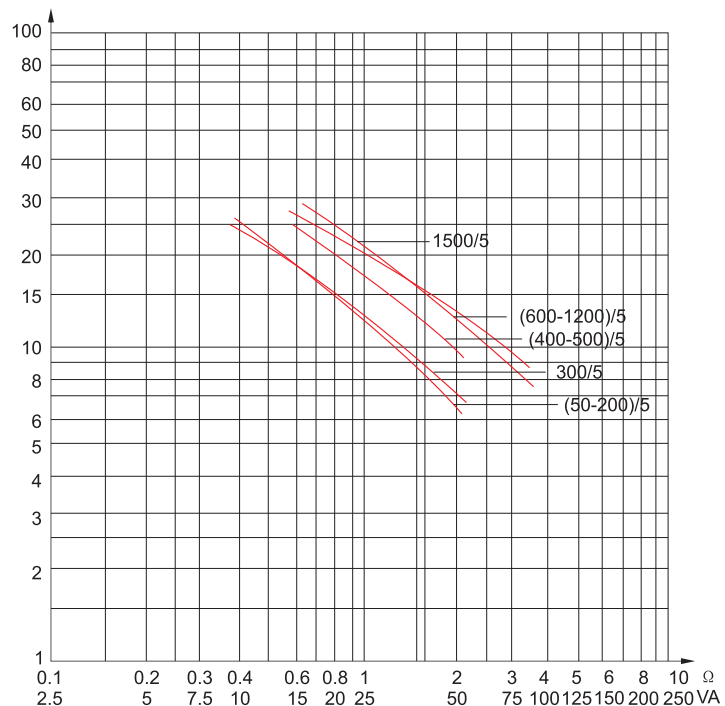
Lighteaing impulse withstand voltage-full-wave 75kV;

3.Relation of : 10P alluraly limit factor and secondary barden is shown as following.

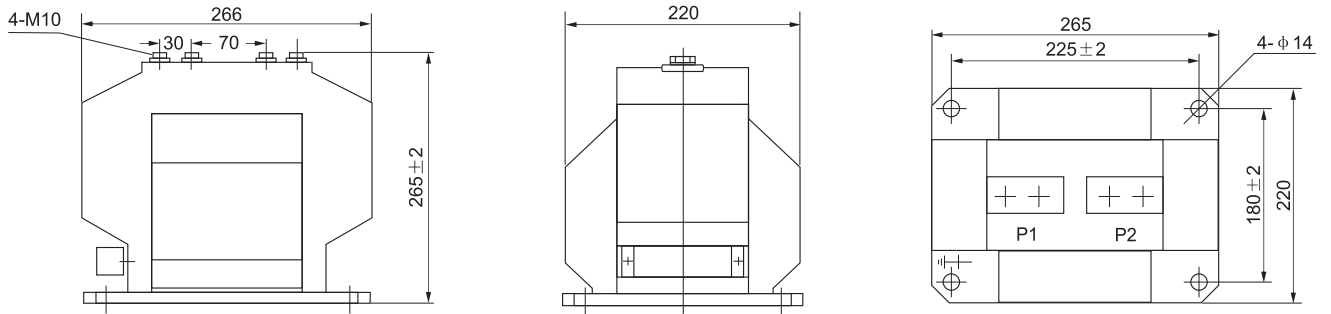
表(table)1

额定一次电流 Rated primary current (A)	准确级组合 Accuracy class	额定输出 Rated output(VA)	1秒热稳定电 流(KA有效值) Ith/1s(r.m.s)	动稳定电流 (KV峰值) Idyn(speak)
30	0.2/0.2 0.2/0.5 0.5/10P15	15/15 15/15 15/20	9.6	24
40			12.8	32
50			16	40
75			20	50
100.150.200.300	0.2/0.2 0.2/0.5 0.5/10P15	20/20 20/20 20/30	31.5	80
400			44.5	
500				
600				
800	0.2/0.5	30/30	63	110
1000~1500	0.5/10P15	30/40		

➔
10P级准确限值系数
Accuracy limit factor of class10P



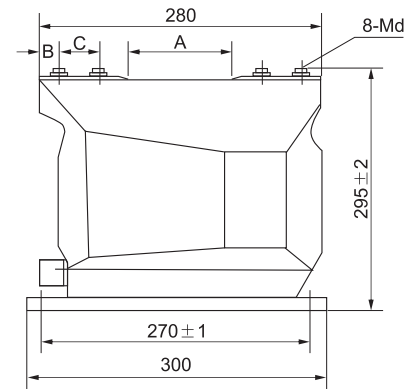
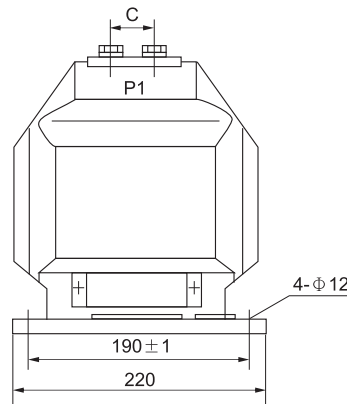
外形尺寸 Overall Dimension



LZZQB6-10 (5/5 2400/5)Overall Dimension

**LZZQB6-10(500~1500/5)
Overall Dimension**

电流比(A)	A	B	C	D
500/5A	98	15	30	M10
600/5A				
800/5A				
1000/5A	98	30	30	M12
1200/5A				
1500/5A				



订货须知 When ordering, please specify the following

- 1.型号、电流比;
 - 2.准确级及相应的二次负荷;
 - 3.绝缘等级及使用环境。
- 1.Type and currenty ration;
 - 2.Accuracy class and secondary output;
 - 3.Insulation class and service conditiior.