



XD1 型限流电抗器

XD1 Current-limit resistor

概述 Description

本产品适用于额定频率为50Hz，额定电压380V，供安装在PGJ1型及其他类型的低压无功功率自动补偿屏中作限制电容器投入涌流之用。

This product is suitable in the nominal frequency is 50Hz, rated voltage 380V for controlling capacitor operating rush current installed in PGJ1 and other types low voltage reactive power automatic compensator screen.

型号含义 Type designation

XD 1. 2 - □

所配电容容量(KVAR) (Capacitor output)

设计序号(Design NO.)

限流电抗器(Current-limit resistor)

结构简介 Construction

限流电抗器由绕组和嵌件等主要零件组成，所有零部件经对脂混合料浇注成型于一体，它具有防潮等各项性能稳定的优点。

Limited current reactor consists of the windings and embed parts and so on the major parts. All spare parts forms in a body after casting by resin mix material. It has each performance stable merits of moisture-proof.

技术参数 Technical data

型号 Type	所配电容器容量 capacity of the matched capacitor (Kvar)	额定电流 Rated current(A)	限流倍数 rush current multiple
XD1-12	12	22.5	50
XD1-14	14	26.3	
XD1-15	15	28.2	
XD1-16	16	30.0	
XD1-20	20	35.9	
XD1-25	25	46.9	
XD1-30	30	56.3	
XD1-40	40	70.8	

注： $n = \frac{I_s}{I_n}$ ，式中 I_s -涌流最大值 I_n -电容器额定电流

Notice: $n = \frac{I_s}{I_n}$, In the formula I_s - maximum value of rush current I_n - capacitor rated current

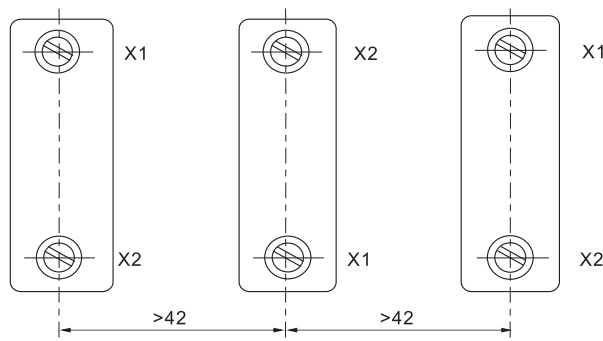
安装方法 Installation method

安装前应清洁电抗器表面，特别是接线端子和安装面。

每台三相电容器各相均应配置一台电抗器，当三相并列安装时应注意电抗器两进出线方向，其中间相必须和两侧相的接线相反，如两侧相首端X1为进线，则中间相末端X2为进线，电抗器相互间中心距不得小于42mm，见下图。

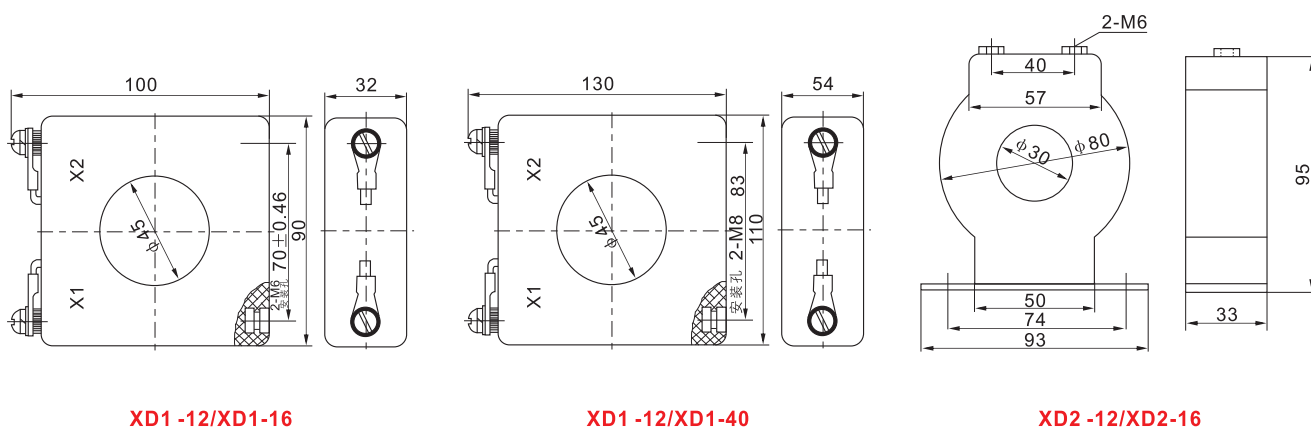
Before installing, the reactor surface should be cleaned, specially the terminal and the fitting surface.

Each phase of each three-phase capacitor should dispose a reactor. When three-phase installed in parallel connection, please pay attention to the direction of two incoming and outgoing line of the reactor, thereinto, its intermediate phase must be opposite with two sides phases wiring, likes two sides phases head end X1 are ingoing line, then among middle phase terminal X2 is incoming line, The reactor mutual center distance should be bigger than 42mm, Shown the Bottom Fig.



订货示例：如电容器容量为10Kvar，共装6台，则订购XD1-14型限流电抗器18器。

Ordering Example: for example, the capacity of condenser is 10Kvar, altogether installs 6 sets, i.e., Ordering XD1-14 limit current reactor 18 sets.

外形尺寸 Overall Dimension

XD1 -12/XD1-16

XD1 -12/XD1-40

XD2 -12/XD2-16

订货须知 When ordering, please specify the following

- 1.绝缘等级(Insulation level);
- 2.电压比(ratio primary and secondary voltage);
- 3.准确级次及额定二次负荷(Number of cores, output and accuracy class);
- 4.使用环境(Test specification).