



JDZ(X)1-12W 型电压互感器

JDZ(X)1-12W Voltage transformer type

概述 Description

本型户外电压互感器为户外环氧树脂浇注绝缘全封闭结构，适用于额定频率50Hz或60Hz、额定电压10kV及以下的中性点非有效接地电力系统中，作电能计量、电压监测和继电保护用。本产品符合IEC186及GB1207-1997《电压互感器》标准。

The types of outdoor voltage transformer are full cast-resin insulated used in outdoors. They are used for metering electric energy, voltage control and relay protection in the electric non-useful-ground neutral system up to 50Hz or 60Hz and 10kV. The transformers can be executed according to the standards IEC186 and GB1207-1997.

型号含义 Type designation

J	D	Z	(X)	1	12	W	
							户外装置(Outdoor installation)
							设备最高电压,kV(Highest voltage of equipment,kV)
							设计序号(Design sequence)
							带剩余电压绕组(With residual voltage winding)
							浇注绝缘(Casting resin insulated)
							单相(Single phase)
							电压互感器(Voltage transformer)

结构简介 Construction

本型电压互感器采用户外环氧树脂全封闭浇注，具有耐电弧、耐紫外线、耐老化、爬电距离大、局部放电小、抗过电压能力强等特点。体积小、重量轻，适宜于任何位置、任意方向安装。

The type of voltage transformer is cast used outdoor resin. They have much merit, such as: electric arc resistance, ultraviolet ray and aging resistance, long creepage distance, little partial discharge and large caliber of resistance to over-voltage. Its volume is small and weight is light. It can be installed at any place and any direction.

使用条件 Condition of use

- 1.环境温度：-25℃~+40℃；
- 2.污秽等级：IV级。
- 1.Ambient temperature -25℃~+40℃；
- 2.Antipollution class:IV class.

技术参数 Technical data

- 1.技术参数见表；
- 2.局部放电水平符合GB1207-1997《电压互感器》标准。
- 1.Technical data form；
- 2.The conditions of the partial discharge test according to GB1207-1997《voltage transformer》 will be fulfilled without exception；

型号 Type	额定电压比(V) Rated voltage Tation(V)	额定输出 Rated output(vA)			极限输出 Limit output(vA)	额定绝缘水平 Rated insulated level(kV)
		0.2	0.5	6P		
JDZ1-12W	10000/100	40	80		500	12/42/75
JDZX1-12W	10000/ $\sqrt{3}$ /100/ $\sqrt{3}$ /100/3	30	60	50	400	

外形尺寸 Overall Dimension

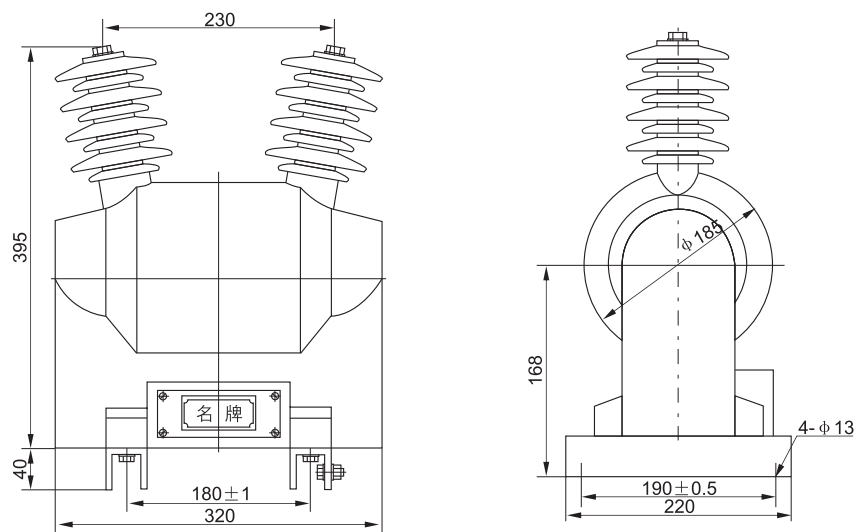
JDZ1-12W JDZX1-12W Overall Dimension

注意事项:

使用绕组不许短路及超负荷运行。

Notice details:

In using , the secondary wineing can' t be short-circuted or opeating over-load.



接线原理图 The principle diagram of wiring

A: 星型接线图

Type Y wiring diagram

B: 全绝缘结构三相线路V型接线图

Wiring diagram of three phase line type V for full insulation strueture

