



## JDZ(X)11-15G,20G 电压互感器

## JDZ(X)11-15G,20G Voltage transformer type

### 概述 Description

本系列电压互感器为环氧树脂浇注绝缘全封闭产品，适用于额定电压50Hz或60Hz、额定电压15、20kV及以下电力系统中，作电能计量、电压监测和继电保护用。本产品符合IEC186及GB1207-1997《电压互感器》标准。

The voltage transformers of the types JDZ(X)(F)11-20(G) are casting resin insulated and fully enclosed products. They are used for metering electric energy, voltage control and relay protection in the electric system up to rated frequency 50Hz or 60Hz and rated voltage 15kV or 20kV. The transformers can be executed according to the standards IEC186 and GB1207-1997.

### 型号含义 Type designation

#### J D Z (X) 11 - 15(G),20(G)



### 结构简介 Construction

本系列电压互感器为环氧树脂浇注绝缘全封闭结构，耐污秽及潮湿，也适用于热带地区使用。该互感器尺寸小、重量轻、局部放电小、抗过电压能力强，适宜于任何位置、任何方向安装。

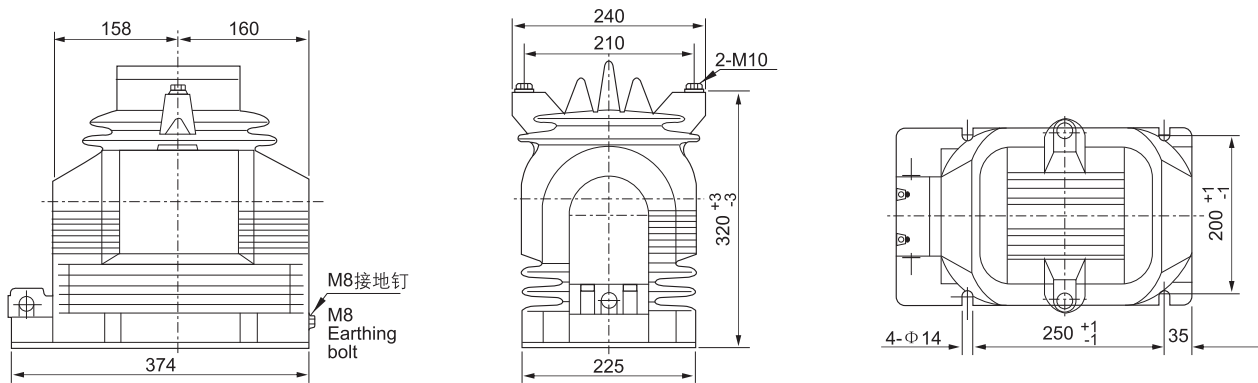
These voltage transformers are casting resin insulated and fully enclosed structure. They are fouling resistance and moisture protection. In the same time, they can be used in the tropic area. The transformer-ers are free. The products are small, light, little partial discharge energy and large caliber of resistance to over-voltage. They can be erected at any position and direction.

### 技术参数 Technical data

- 1.技术参数见表;
- 2.局部放电水平符合GB1207-1997《电压互感器》标准。
- 3.污秽等级：Ⅱ级。
1. Technical data form;
2. The conditions of the partial discharge test according to GB1207-1997《Voltage transformer》 will be fulfilled without exception.
3. Antipollution class : II class.

| 型号<br>Type | 额定频率<br>Rated frequency<br>(Hz) | 额定电压比<br>Rated transformer<br>ration(kV) | 准确级或准确级组合<br>Accuracy class<br>accuracy classes<br>combination | 额定输出<br>Rated output<br>(VA) | 热极限输出<br>Thermal<br>limiting<br>output(VA) | 额定绝缘水平<br>Rated<br>insulation<br>level(kV) | 备注<br>Remark                  |
|------------|---------------------------------|--|--|------------------------------|--|--|-------------------------------|
| JDZ11-15   | 50,60                           | 13.8/0.1                                 | 0.2<br>0.5<br>1  | 30<br>80<br>200              | 500  | 18/55/105                                  | 同UNZ20<br>Same<br>as<br>UNZ20 |
|            |                                 | 15/0.1                                   |  |                              |  |  |                               |
|            |                                 | 15.7/0.1                                 |  |                              |  |  |                               |
|            |                                 | 18/0.1                                   |  |                              |  |  |                               |
| JDZ11-20   |                                 | 20/0.1                                   |  |                              |  | 24/65/125                                  |                               |
| JDZ11-15   | 50,60                           | 13.8/0.1/0.1                             | 0.2/0.2<br>0.2/0.5<br>0.5/0.5                                  | 20/20<br>20/30<br>30/30      | 300  | 18/55/105                                  |                               |
|            |                                 | 15/0.1/0.1                               |  |                              |  |  |                               |
|            |                                 | 15.7/0.1/0.1                             |  |                              |  |  |                               |
|            |                                 | 18/0.1/0.1                               |  |                              |  |  |                               |
| JDZ11-20   |                                 | 20/0.1/0.1                               |  |                              |  | 24/65/125                                  |                               |
| JDZX11-15G | 50,60                           | 13.8/√3/0.1/√3/0.1/3                     | 0.2/6P(3P)<br>0.5/6P<br>1/6P(3P)                               | 20/100<br>60/100<br>120/100  | 400  | 18/55/105                                  |                               |
|            |                                 | 15/√3/0.1/√3/0.1/3                       |  |                              |  |  |                               |
|            |                                 | 15.7/√3/0.1/√3/0.1/3                     |  |                              |  |  |                               |
|            |                                 | 18/√3/0.1/√3/0.1/3                       |  |                              |  |  |                               |
| JDZX11-20G |                                 | 20/√3/0.1/√3/0.1/3                       |  |                              |  | 24/65/125                                  |                               |

**外形尺寸 Overall Dimension**



**接线图**

**Wiring diagram**

图1-图4: JDZ11-15, 20

图5: JDZX11-15G, 20G

Figure1-4:JDZ11-15, 20

Figure5:JDZX11-15G, 20G

