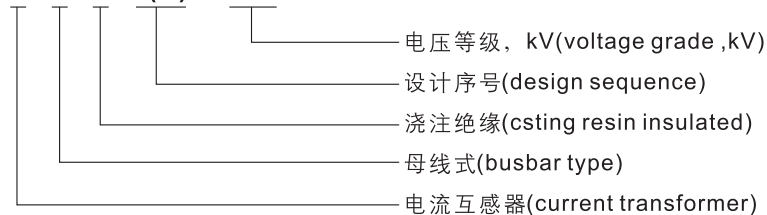


**LMZ3(D)-0.66 型电流互感器****LMZ3(D)-0.66 current transformer****概述 Description**

本型电流互感器适用于额定频率为50Hz或60Hz、额定电压为0.66kV及以下的电力系统中，作电能计量、电流测量和继电保护用。

The current transformer is used for measuring electric energy and current, relay protection in the electric system up to rated frequency 50Hz or 60Hz and rated voltage 0.66kV.

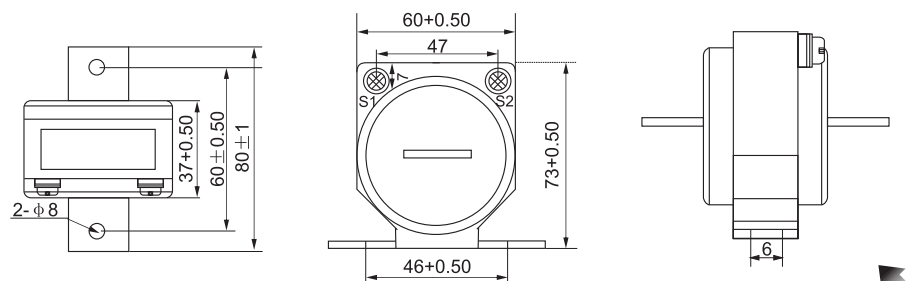
**型号含义 Type designation****L M Z 3(D) - 0.66****结构简介 Construction**

本型电流互感器铁心为环形，二次绕组沿环形径向均匀绕制，外壳采用浇注绝缘，中间窗孔供母线过和安装用。

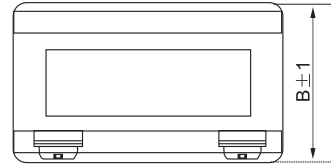
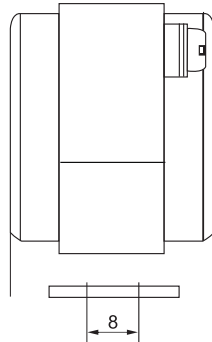
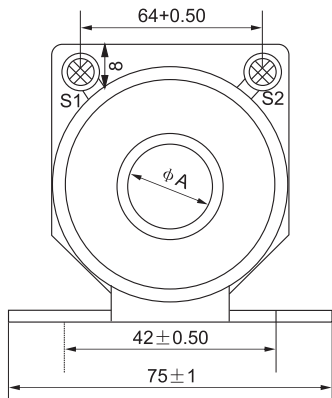
The iron core is loop type. The secondary winding go uniformity around the core. The crust is casting by epoxy. There has hole for the busbar going through on the nip.

**技术参数 Technical data**

型号 Type	额定一次电流 Rated primary current(A)	额定二次电流 Rated secondary current(A)	准确级 Accuracy Class	额定输出 Rated output(VA)
LMZ1-0.66	200,300,400,600,800	5	0.5	10
	1000,1200,1500			15
LMZ2-0.66	2000,2500,3000			20
	4000			30

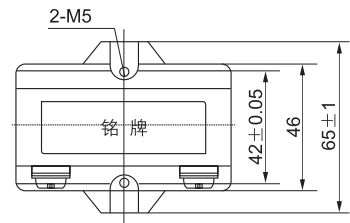
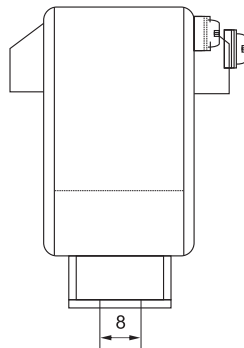
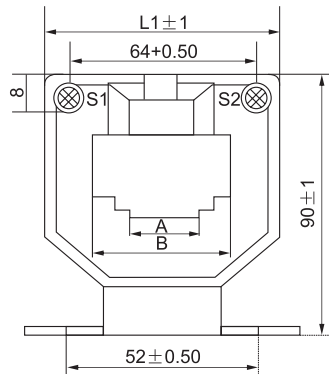
**外形尺寸 Overall Dimension**

5/5A-75/5A

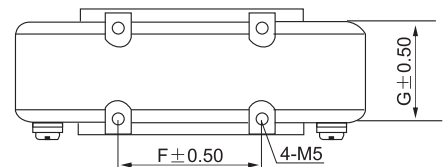
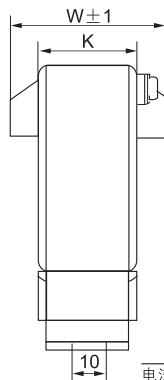
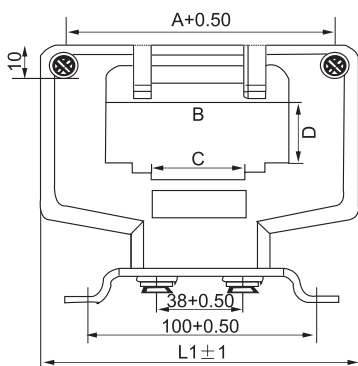


100-300A

电流比 Current ration	型号 Type	φA	B
LMZ3D-0.66 150-300/5		35	42
LMZ3D-0.66 100/5		25	46



400-600A



750-3000A

电流比 Current ration	A (mm)	B (mm)	C (mm)	D (mm)	E (mm)	F (mm)	G (mm)	K (mm)	L (mm)	W (mm)	H (mm)
LMZ3D-0.66 B00-1500/5	131	86	48	43	2-M5	30	39	45	144	63	135
LMZ3D-0.56 3000/5	187	130	90	62	2-M8	74	50	50	205	66	174