

### JDZ12(A)-3,6,10(R)、JSZV12-10R 型电压互感器

### JDZ12(A)-3,6,10(R)、JSZV12-10R Voltage transformer type

#### 概述 Description

本产品是专为XGW-12型户外交流固定式金属封闭开关而设计的。本型电压互感器一次绕组带熔断器保护，配接COOPER(固珀)公司的肘型电缆插头。其熔断器安装快捷，熔断电流与电压互感器短路能力相匹配，其二次输出容量大，准确级次高，不仅提供100V测量电压，还提供220V操作电源供断路器使用。

The production is designed for XGW-12 type outdoor AC fastness type metal enclosed switch. The primary winding of voltage transformer is with fuse for protection, it matches to connect ancon type cable plug of COOPER COMPANY. It is fuse fixing is shortcut, current of blowing a fuse can match the voltage transformers short-circuit force. Its secondary output has big capability, high accuracy class, it not only supply 100V measuring voltage, but also supply the operating power supply of 220V to breaker.

#### 型号含义 Type designation

##### J D Z 12 (A) - 3,6,10 R

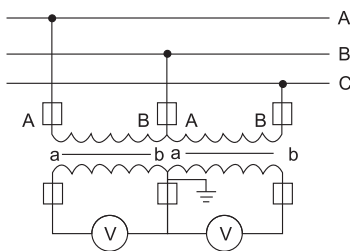
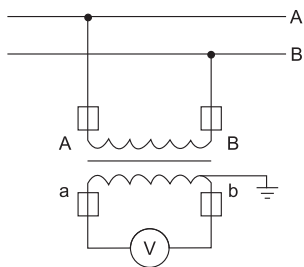
J	D	Z	12	(A)	-	3,6,10	R	
—	—	—	—	—	—	—	—	带熔断器(With fusible cutour)
—	—	—	—	—	—	—	—	电压等级,kV(Voltage grade,kV)
—	—	—	—	—	—	—	—	结构代号(Structure code)
—	—	—	—	—	—	—	—	设计序号(Design sequence)
—	—	—	—	—	—	—	—	带剩余电压绕组(With residual voltage winding)
—	—	—	—	—	—	—	—	单相(Single phase)
—	—	—	—	—	—	—	—	电压互感器(Voltage transformer)

##### J S Z V 12 - 10 R

J	S	Z	V	12	-	10	R	
—	—	—	—	—	—	—	—	带熔断器(With fusible cutour)
—	—	—	—	—	—	—	—	电压等级,kV(Voltage grade,kV)
—	—	—	—	—	—	—	—	设计序号(Design sequence)
—	—	—	—	—	—	—	—	V接线方式(V connection mode)
—	—	—	—	—	—	—	—	浇注绝缘(Casting insulation)
—	—	—	—	—	—	—	—	三相(Three phase)
—	—	—	—	—	—	—	—	电压互感器(Voltage transformer)

接线原理图

The principle diagram of wiring



#### 结构简介 Construction

本系列电压互感器为环氧树脂浇注，全封闭结构，铁芯采用优质冷轧钢片，一、二次绕组和铁芯全部浇注在环氧树脂内，具有优良的防潮绝缘性能。互感器器身全部采用优质屏蔽材料进行屏蔽处理。

The voltage transformer adopts epoxy resin casting fully-enclosed structure. Iron-core adopts high quality cold-rolling silicon-steel sheet. Primary, secondary windings and iron-core all are cast in epoxy resin, they have excellent anti-aquosity and insulation capability. The body of transformer all adopts high grade shield material to deal with shield.

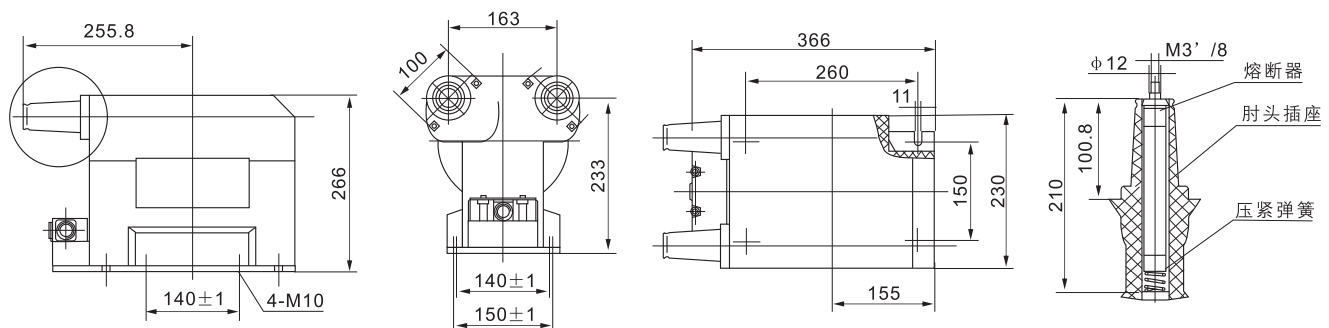
## 技术参数 Technical data

1. 负荷的功率因数:  $\text{COS } \phi = 0.8$  (滞后);
  2. 海拔高度  $\leq 1000\text{m}$ , 满足 II 级污秽等级;
  3. 产品性能符合标准: GB1207-1997 《电压互感器》;
1. Power factor of load:  $\text{COS } \phi = 0.8$  (lagging);
  2. Altitude:  $\leq 1000\text{m}$ , the product accords with the request of II class;
  3. The voltage transformers are in accordance with GB1207-1997 《Voltage transformer》 standards.

型号 Type	额定电压比 Rated voltage ratio(V/V)	额定输出 Rated output(VA)				极限输出 Limit output (VA)	额定绝缘水平 Rated insulated lever(kV)	短路电流(A) Short current		表面爬电距离 Surface creepage distance(mm)	重量 Weight (kg)
		0.2	0.5	1	3			I s1	I s2		
JDZ12-3	3000/100	40	80	200	300	800	3.6/23/40	4.85	145	390	49
JDZ12-6	6000/100						7.2/32/60	2.49	150		
JDZ12A-3	10000/100						12/42/75	1.78	178		
JDZ12A-3	3000/100 3600/100	30	90	250	400	600	3.6/23/40	4.85	145		42
JDZ12A-6	6000/100 7200/100						7.2/32/60	3.01	178		
JDZ12A-10	10000/100 12000/100						12/42/75	2.04	204		
JDZ12A-3R	3000/100 3600/100	30	90	250	400	600	3.6/23/40	4.85	145		44
JDZ12A-6R	6000/100 7200/100						7.2/32/60	3.01	178		
JDZ12A-10R	10000/100 12000/100						12/42/75	2.04	204		
JSZV12-10R	10000/100/220						12/42/75	2.04	204		

## 外形尺寸 Overall Dimension

JDZ12A-3,6,10R Overall dimension

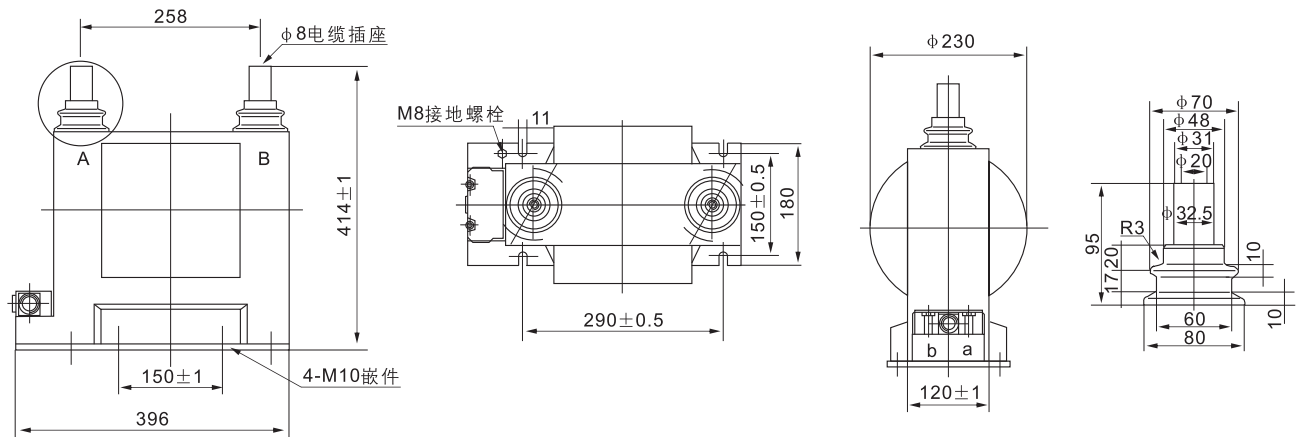


**JOSEF** 约瑟

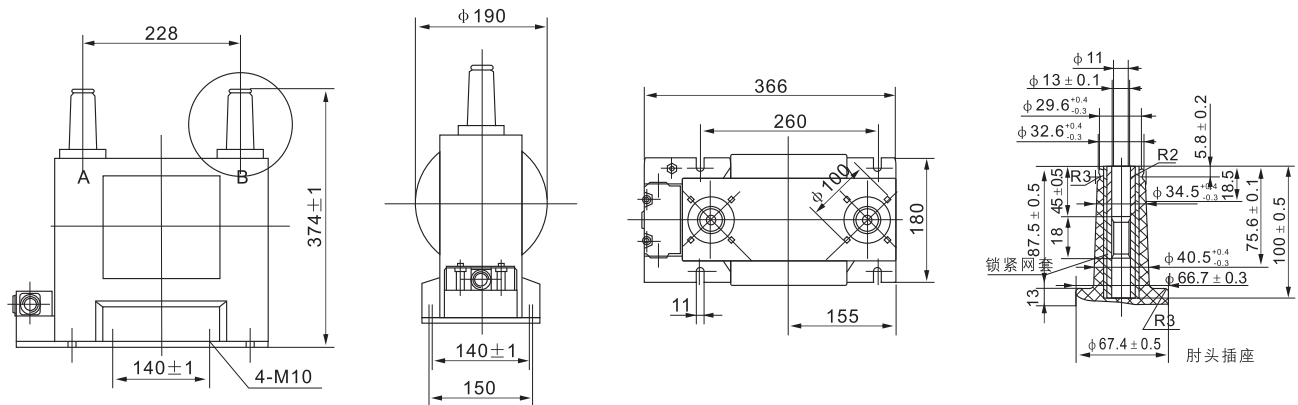
电压互感器 户内 带肘头插座型

Voltage transformer Indoor With cable socket

JDZ12A-3,6,10 Overall dimension



JDZ12A-3,6,10 Overall dimension



JSZV12-10R Overall dimension

