

LDZ1-10 型电流互感器

LDZ1-10 Current transformer type

概述 Description

LDZ1-10型浇注绝缘单匝贯穿式电流互感器，供额定频率为50Hz，额定电压10kV的电力系统中作电流、电能测量和继电保护用。

Current transformer LDZ1-10 which is resin casting insulated single-turn through type is applicable for use of electric measurement and relaying protection of in door type power system of 10kV and below at the frequency of 50Hz.

型号含义 Type designation



使用条件 Service conditon

- 1.海拔高度不超过1000m;
 - 2.周围环境温度不高于+40℃，不低于-5℃；
 - 3.周围空气的相对湿度不大于85%(20℃)；
 - 4.本产品已通过直接振动试验，能承受住相当于里氏九级裂度的加速度为0.4g正弦三波的耐振试验。
- 1.Altitude :Not over 1000m;
 - 2.Ambient temperature: -5℃to +40℃;
 - 3.Relative humidity: less than 85%, at 20℃;
 - 4.The product has passed the divect vibration test with the intensity of 0.4g three sine waves, equivalent to nice-degree earth quake on the richter scale.

结构简介 Construction

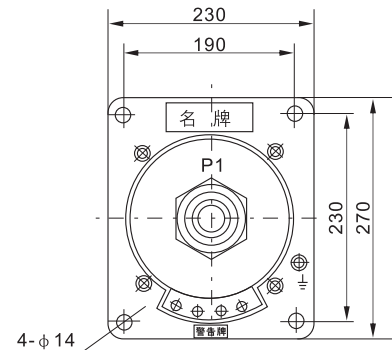
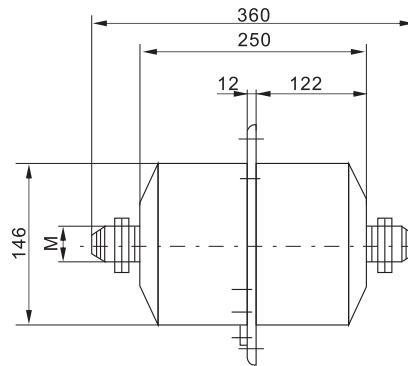
本型互感器采用圆环形铁心，并经退火处理，一次导体和二次绕组一起用环氧树脂浇注绝缘。浇注体中部有低磁铸件安装板，其上有名牌，接地螺栓和安装孔，可供固定式开关柜中穿墙安装。

The current traesformer is an arnealed ring core nound with primary winding and secondary winding cast with epoxy resin for insulation. There are rating plate, earthing bolt and mounting hole on the cast body base for wall through mounting of filed srrit-ching case.

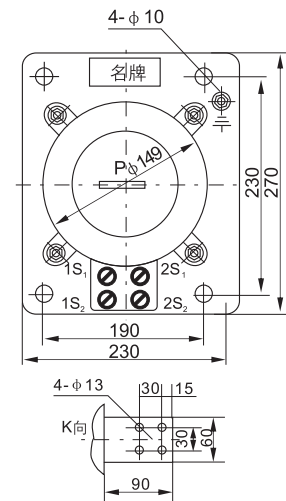
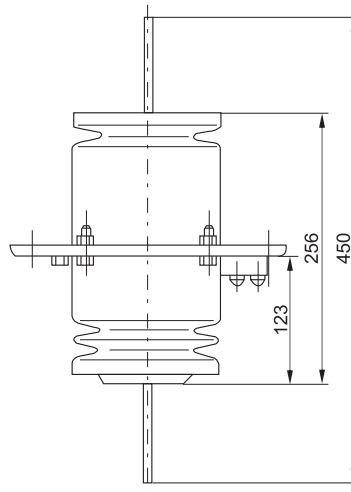
外形尺寸 Overall Dimension

LDZ1-10(400-1500/5)Overall Dimension
(一次铜棒接线式)

电流比	400/5	600/5	800/5	1000~1500/5
M	M18	M22 × 1.5	M25 × 1.5	M39 × 2



LDZ1-10(400-1500/5)Overall Dimension
(一次铜排式接线)



订货须知 When ordering, please specify the following

- 1.型号、电流比;
- 2.准确级及相应的二次负荷;
- 3.绝缘等级及使用环境。
- 1.Type and currenty ration;
- 2.Accuracy class and secondary output;
- 3.Insulation class and service conditior.

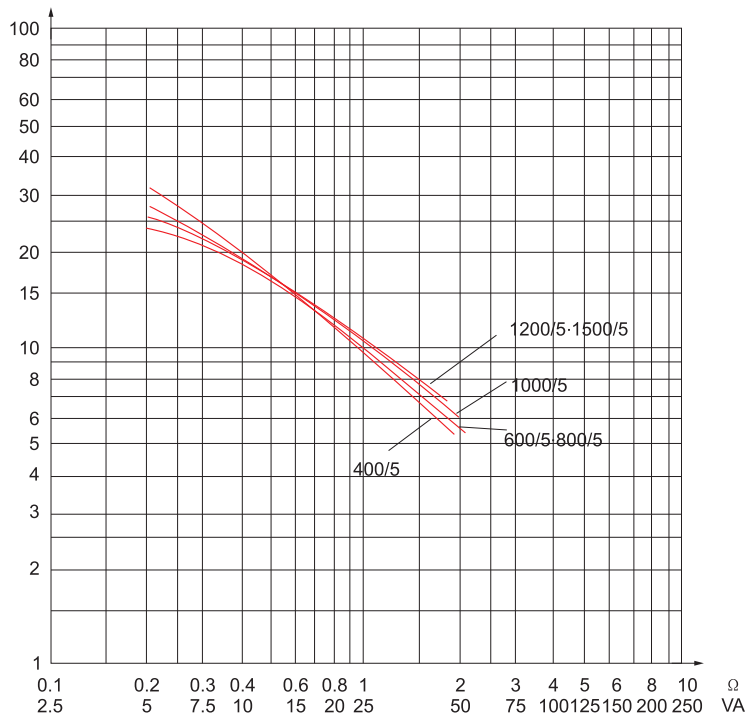
技术参数 Technical data

产品性能符合IEC标准和GB1208-87《电流互感器》。

Performance conforms with IEC standard and GB1208-87 Current Transformer.

额定一次电流(A)	Rated primary current(A)	400.500	800.1000.1500
额定二次电流(A)	Rated secondary current(A)	5	5
频率(Hz)	Frequency(Hz)	50	50
额定二次输出(VA) 0.2级 0.5级 10P10级	Rated output (vA) for accuracy class 0.2 for accuracy class 0.5 for accuracy class 10P10	10 10 15	10 10 15
额定绝缘水平	Rated insulation level(kV)	11.5/42/75	11.5/42/75
1秒热电流(有效值)(kV)	1th/1s (r.m.s)(kA)	75I _{1n}	50I _{1n}
动稳定电流表(峰值)(kA)	1dyn (peak)(kA)	120I _{1n}	90I _{1n}

10P 级准确限值系数
Accuracy limit factor of class 10P



开孔尺寸 Hole dimension

LDZ1-10型开孔尺寸(Hole dimension)

